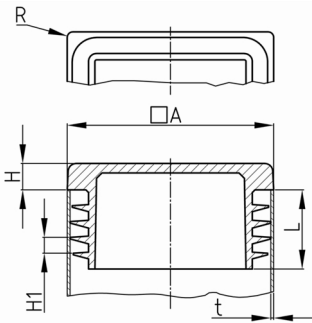
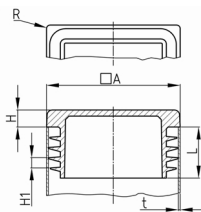
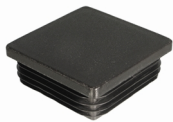


Product Group VL/Q

Ribbed inserts for square tubes ("+" = differing standard colours possible)



- Standard Colours**
- black RAL 9005
 - signal white RAL 9003
 - traffic grey A RAL 7042
- Material**
- Polyethylene (PE)



Product information

- Ribbed inserts are designed for a wall thickness of 1,5 mm. In most cases they can also be used for a tube wall thickness for 1,5 - 2 mm. Please specify the wall thickness with your order.
- Inserts are suitable for application in tubes or equivalent apertures with a free inside diameter corresponding to the nominal measures with a depth for at least the length of shaft.
- Production-related a possible sprue can overlap the length of shaft.
- Material and design of shafts guaranteed stop against drop out and easy assembling.
- For use as gliders (limited shearing resistance) and to attain an easy assembling in tubes with larger wall thickness it is suitable to chamfer the inner diameter of the tube (approx. 0,3 - 0,5 x 60°).
- At seller's option the surface can be polished or spark eroded.
- The ribs are circularly closed or interrupted.
- The ribs are not suitable for sealing against fluids.
- „+“ = differing standard colours possible
- Your desired dimension/ version is not present? - Please ask our sales team.
- As a general rule uneven numbered, on 1/10 mm rounded outer diameter of tubes (as element of article number or order number) indicate, that these sizes/items are of imperial origin or are in use there.
- For British or US pipe thickness systems, use this website to convert "gauge" to millimeter: www.rapidtables.com/convert/length/inch-to-mm.htm

Product options on inquiry

- Special colours (colours, minimum quantities, set-up costs, pricing and surcharges)
- With your engraved companies logo (tooling costs, minimum quantities, set-up costs)
- With your tampon printed companies logo (set-up costs, minimum quantities, printing costs)
- Most plugs/inserts are also available made from suitable harder TPE's (TPE= thermoplastic elastomer --> extended range of operating temperature, noise absorbing, non-skid).

Order Number	A	H	H1	L	R	t
	mm	mm	mm	mm	mm	mm
VL 15x15x0,8-2	15	3	3	11,5		0,8-2
VL 16x16x0,8-2	16	5	3	11,5		0,8-2
VL 18x18x1,5-3	18	5	3	11,5		1,5-3
VL 19,1x19,1x1,2-2,9	19,1	5	3	11,5		1,2-2,9
VL 20x20x0,8-3	20	5	3	11,5		0,8-3



Walter Bethke GmbH & Co. KG

Technische Kunststoff - und Hybridprodukte

Order Number	A	H	H1	L	R	t
	mm	mm	mm	mm	mm	mm
VL22x22x0,8-3(3,5)	22	5	3	11,5		1-3,5
VL 25x25x1-3	25	5	3	11,5		1-3
VL 28x28x1-3	28	5	3	11,5		1-3
VL 30x30x1-2,5	30	5	3	11,5		1-2,5
VL 30x30x2,5-5	30	5	3	11,5		2,5-5
VL 32x32x1-3,5	32	5	3	11,5		1-3,5
VL 34x34x1-3	34	5	3	14,5		1-3
VL 35x35x1-3	35	5	3	14,5		0,8-3
VL 35x35x3-5	35	5	3	14,5		3-5
VL 38x38x1-3,5	38	5	3	14,5		1-3,5
VL 40x40x1-3	40	5	3	14,5	2	1-3
VL 40x40x3-5	40	5	3	14,5	2	3-5
VL 45x45x1-3	45	5	3	14,5	2	1-3
VL 45x45x3-5	45	5	3	14,5	2	3-5
VL 48x48x2,5-4,5	48	5	3	14,5	2	2,5-4,5
VL 50x50x0,8-3	50	5	3	14,5	2,5	0,8-3
+ VL 50x50x2,6-4	50	6,5	6,5	24,5	2,5	2,6-4
VL 50x50x3-5	50	5	3	14,5	2,5	3-5
VL 50,8x50,8x1,2-3,2	50,8	5	3	14,5	2,5	1,2-3,2
VL 52x52x1,5-3,5	52	5	3	14,5	2,5	1,5-3,5
VL 55x55x2-4,5	55	5	3	14,5	2,5	2-4,5
VL 60x60x1,5-4	60	5	4,5	21	6	1,5-4
+ VL 60x60x2,6-4	60	6,5	6	17,5	5	2,6-4
VL 60x60x4-6	60	5	3	21	6	4-6
VL 65x65x2-4,5	65	5	3	21	6	2-4,5
VL 65x65x4-6,5	65	5	4,5	21	12	4-6,5
+ VL 70x70x2-4	70	5	4	18,7	4	2-4
VL 70x70x2-4,5	70	5	5	18,7	6	2-4,5
+ VL 70x70x3,6-5	70	8	6	20	6	3,6-5
VL 75x75x2-4,5	75	6	4,5	21	6	2-4,5
VL 75x75x4-6,5	75	6	4,5	21	12	4-6,5
VL 76,2x76,2x2,5-5	76,2	6	4,5	21	6	2,5-5
VL 80x80x2-4,5	80	6	4,5	21	6	2-4,5
VL 80x80x4-7	80	6	4,5	21	6	4-7
+ VL 80x80x2,9-5	80	8	4	24	5	2,9-5
VL 90x90x3-5	90	6	4,5	21	6	3-5
VL 90x90x4,5-7x R12	90	6	4,5	21	12	4,5-7
VL 95x95x3,5-5,5	95	6	4	21	6	3,5-5,5
+ VL 100x100x1-4	100	7	7	24	7,5	1-4
+ VL 100x100x5-8	100	7	8,5	24	7,5	5-8
VL 101,6x101,6x2,5-5,5	101,6	6	5	24	6	2,5-5,5
VL 110x110x3-5	110	6	4,5	24,5	6	3-5
VL 114,3x114,3x2,5-5,5	114,3	6	5	24	6	2,5-5,5
+ VL 120x120x2,5-5	120	5		25	7,5	2,5-5
VL 125x125x3-6	125	6	4,5	24,5	6	3-6



Walter Bethke GmbH & Co. KG

Technische Kunststoff - und Hybridprodukte

Order Number	A	H	H1	L	R	t
	mm	mm	mm	mm	mm	mm
VL 140x140x4-7	140	6	6	35	12	4-7
+ VL 150x150x5-8	150	7	8	27	12	5-8
+ VL 150x150x10-12,5	150	7	8	27	12	10-12,5